

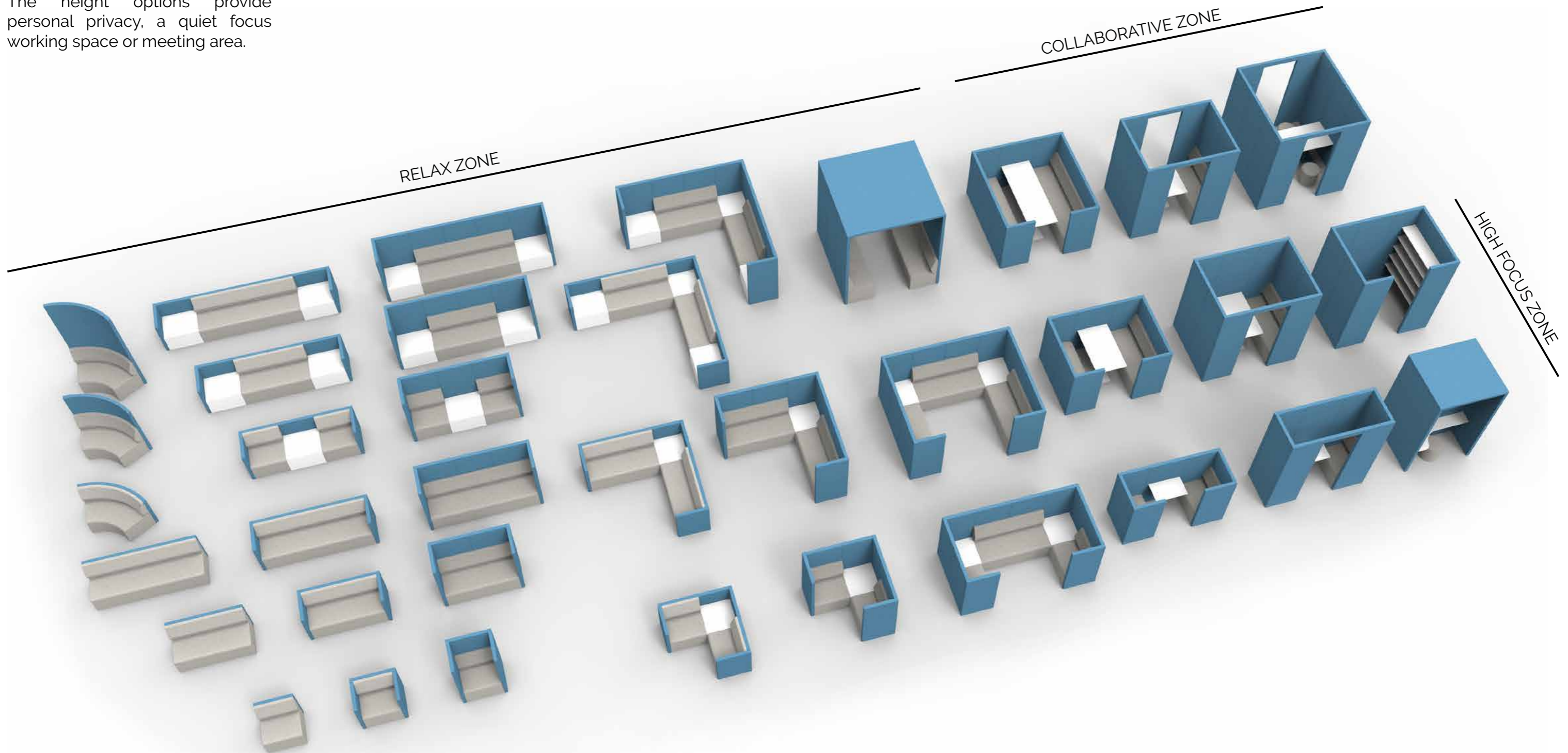
Specifications
CHARLA

Collection

Charla is available in a variety of sizes and allows you to choose and assemble upholstered modules to build endless working configurations to meet every need. The height options provide personal privacy, a quiet focus working space or meeting area.

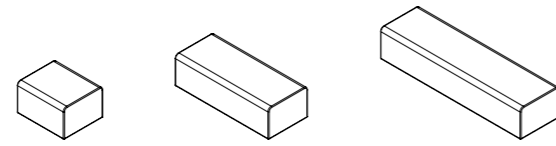
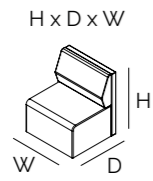
The collection includes three categories:

- Relax Zone
- Collaborative Zone
- High Focus Zone



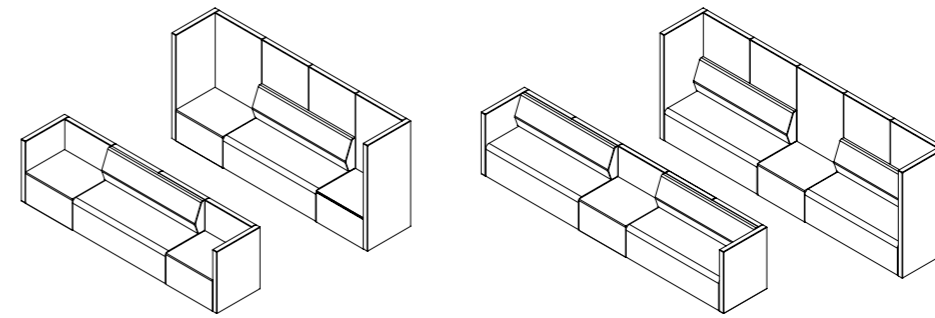
Relax Zone

Pouf
Armchair
Sofa



42 x 58 x 71 - 142 - 213 cm

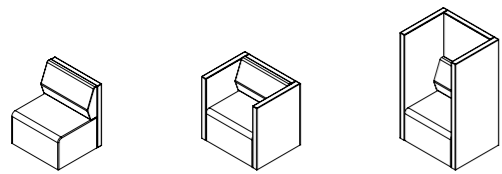
Pouf



80 - 140 x 65 x 297 cm

80 - 140 x 65 x 368 cm

Lounge Sofa

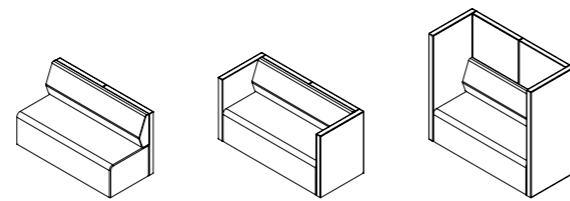


80 x 65 x 71 cm

80 x 65 x 84 cm

140 x 65 x 84 cm

Armchair

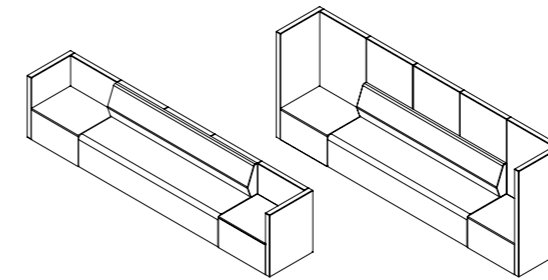


80 x 65 x 142 cm

80 x 65 x 155 cm

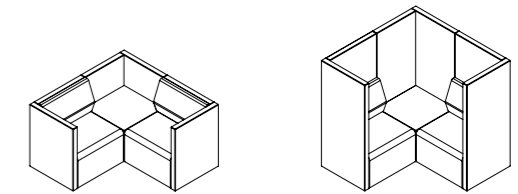
140 x 65 x 155 cm

Sofa Two-Seat



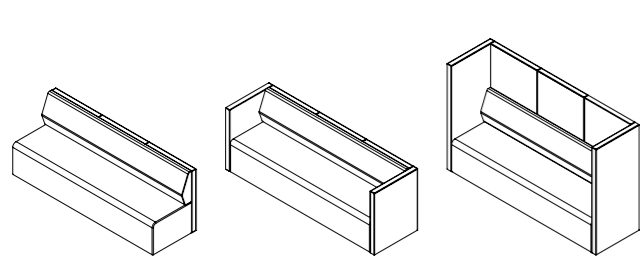
80 - 140 x 65 x 368 cm

Lounge Sofa



80 - 140 x 142 x 142 cm

Corner Armchair

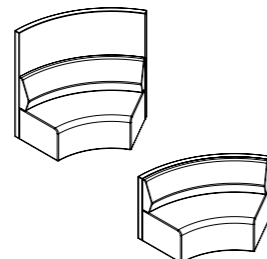


80 x 65 x 213 cm

80 x 65 x 226 cm

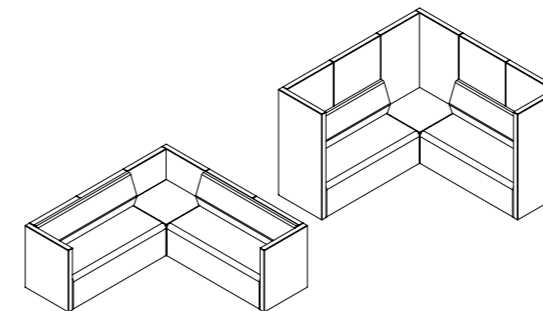
140 x 65 x 226 cm

Sofa Three-Seat



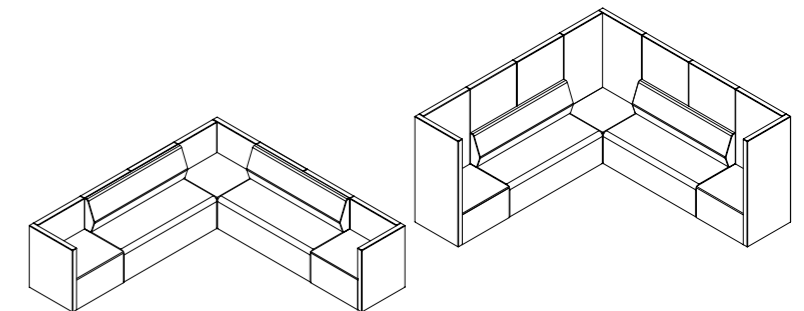
80 - 140 x 65 x 145 cm

Round Sofa

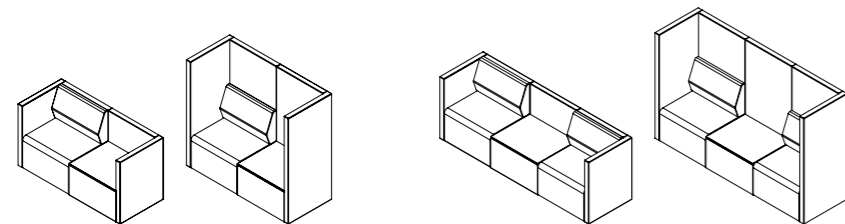


80 - 140 x 213 x 213 cm

Corner Sofa



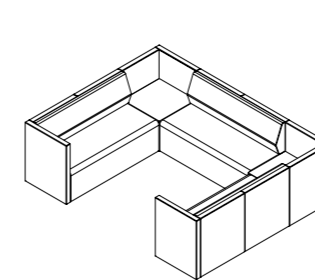
80 - 140 x 284 x 284 cm



80 - 140 x 65 x 155 cm

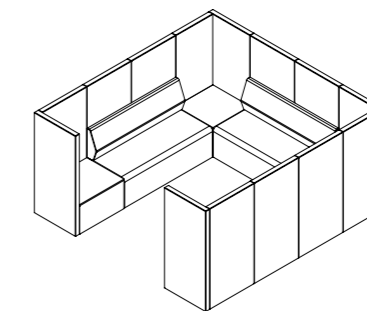
80 - 140 x 65 x 226 cm

Lounge Armchair

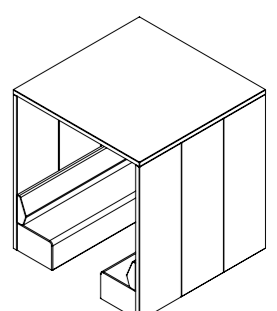


80 x 213 x 284 cm

Lounge Box



140 x 271 x 284 cm

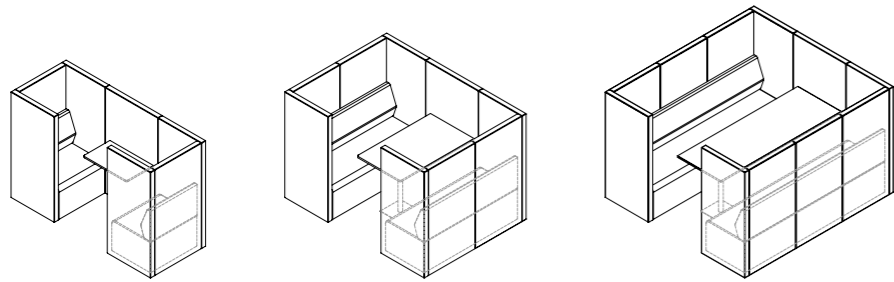
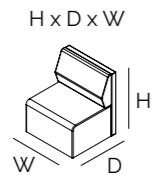


222 x 213 x 213 cm

Lounge Box

Collaborative Zone

Box
Room

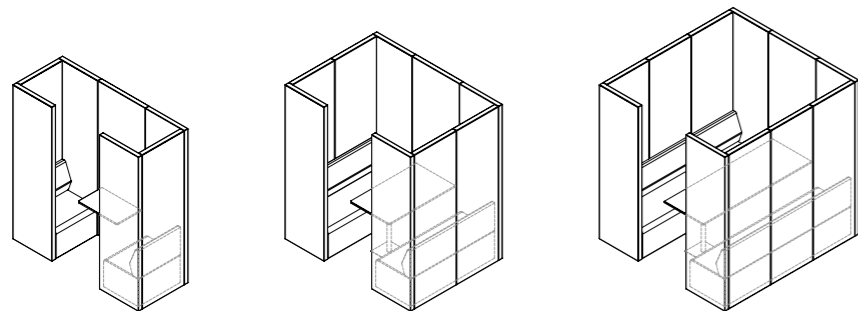


140 x 84 x 208 cm

140 x 155 x 208 cm

140 x 226 x 208 cm

Box

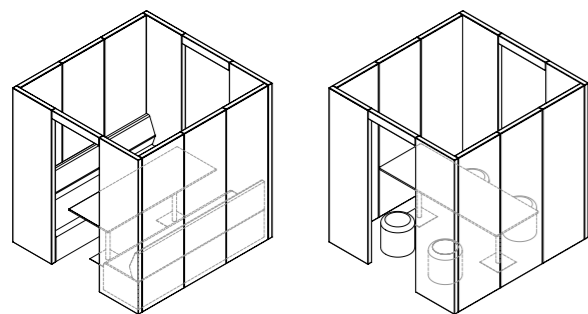


215 x 84 x 208 cm

215 x 155 x 208 cm

215 x 226 x 208 cm

Closed Room (with ceiling option)

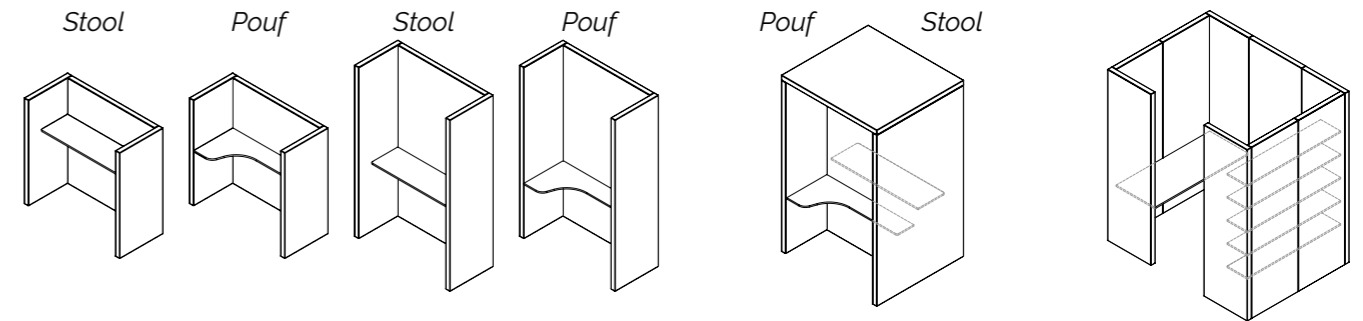
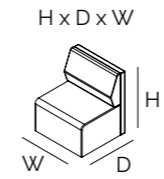


215 x 226 x 208 cm

215 x 226 x 208 cm

Open Room (with ceiling option)

High Focus Zone



140 x 65 x 140 cm

215 x 65 x 140 cm

222 x 140 x 140 cm

215 x 155 x 208 cm

Workstation
Table: H 72 - 110 cm

*Back to Back
Workstation*

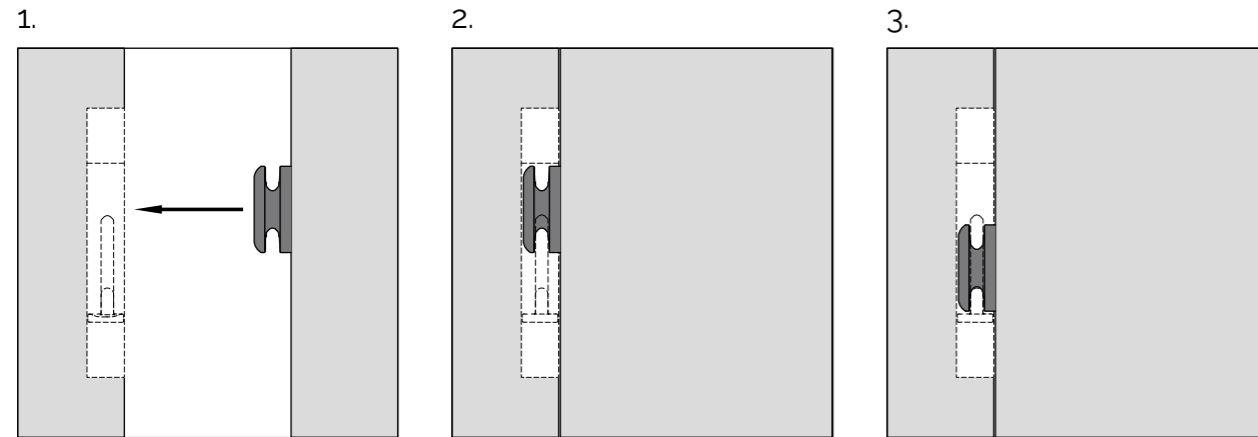
Workstation Box

Assembly

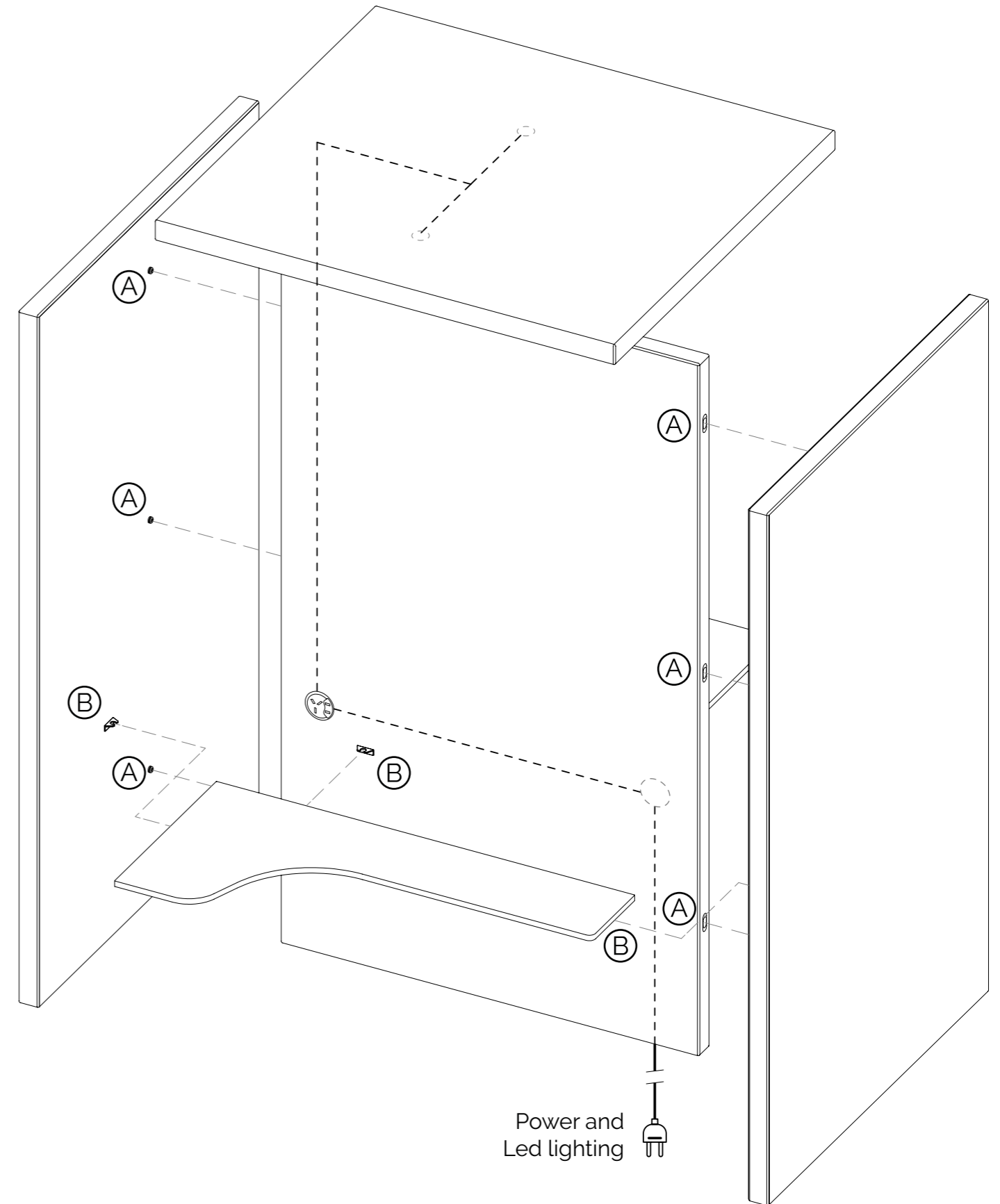
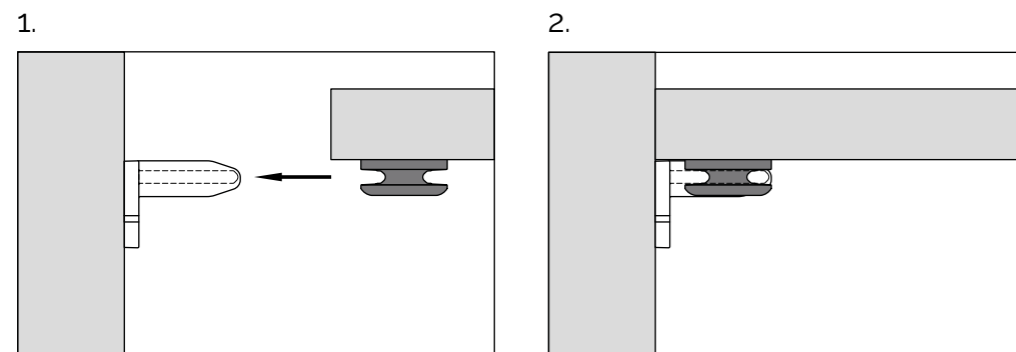
Easy panel connection, with no bolts or screws on show. No tools required.

Delivered in modular sections to fit standard sized lifts.

(A) Panel-to-panel connection

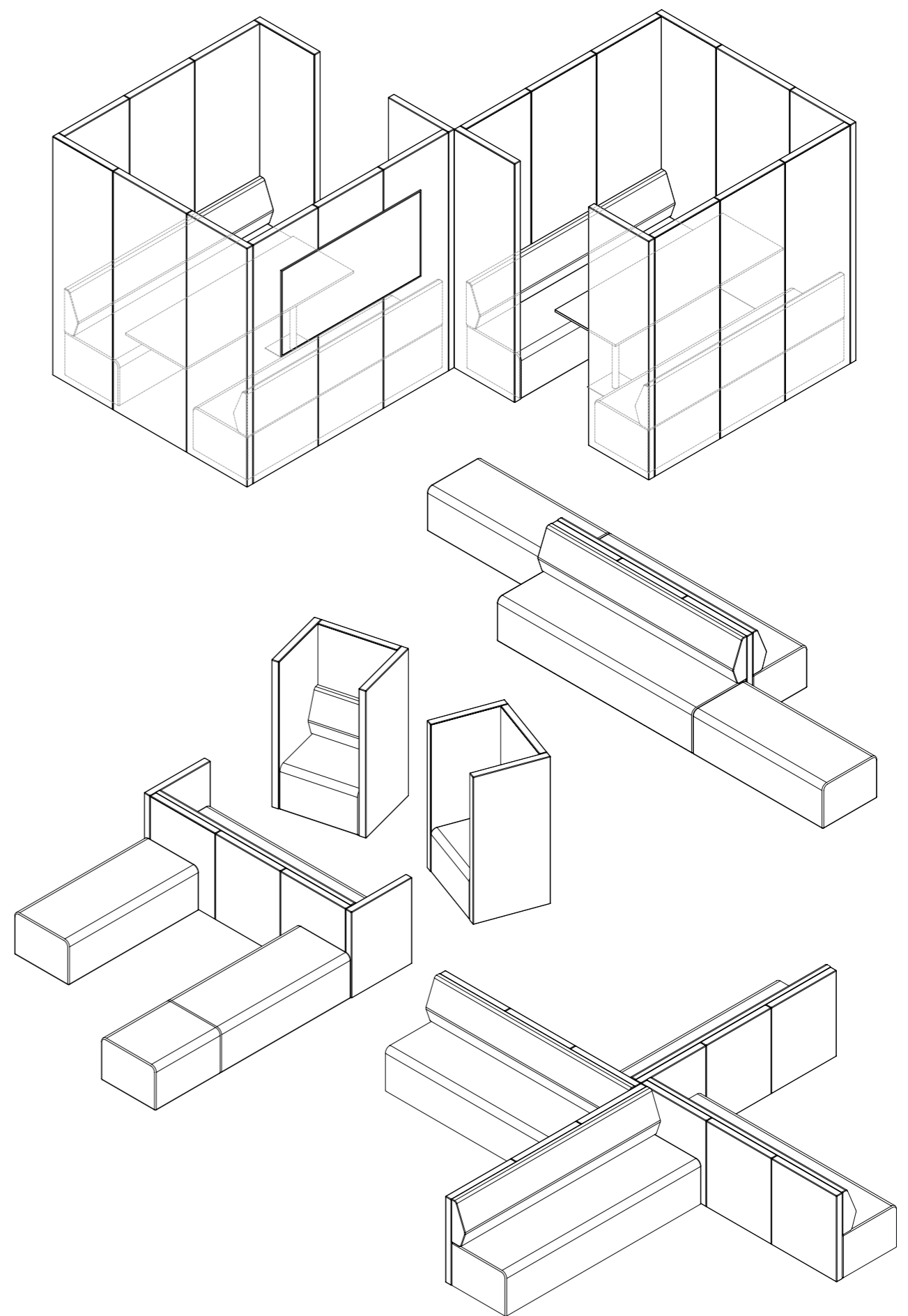
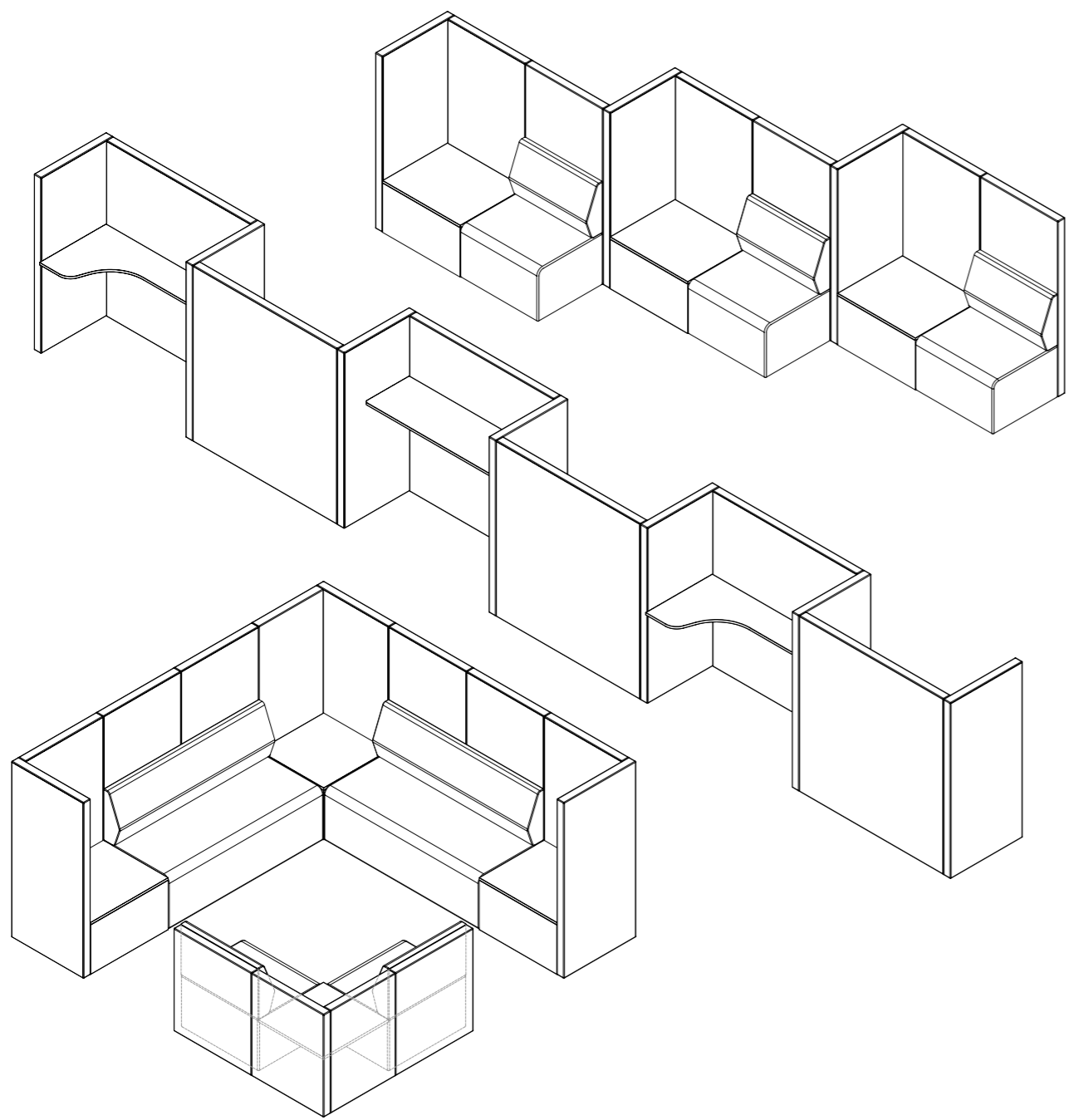


(B) 90 degrees panels connection



Configuration Examples


- Relax Zone
- Collaborative Zone
- High Focus Zone





BDSS Pty Ltd / Business Desking & Seating Systems
www.bdss.net.au

 98 Catalano Circuit, Canning Vale WA 6155 Australia

 Phone: 08 6218 5123

 Email: admin@bdss.net.au